

Automatic Fragrance Dispenser

AD-110

- Hold "RESET" button for 1 second to make sure the counter is 3,000.
- *IMPORTANT:** Do remember press "RESET" button whenever the refill is replaced
- Press "ADJ" for spray test if necessary. Never stand in front of the dispenser avoid being sprayed in the eyes or face.
- Close dispenser front cover.

DESCRIPTION OF BUTTONS : AT HOME PAGE

- POWER** - turn on/off the power of the dispenser
 - RESET** - Check "SPRAYS LEFT" or hold 1 second return counter to 3,000 (recommend use when new refill replaced)
 - MODE** - enter program pages
 - SET** - no action
 - ADJ** : spray test (never stand in front of the dispenser when spraying)
 - **Hold "SET" and "MODE"** together for 1 second to return the program to factory pre-setting program.
- ### DURING PROGRAM PAGES
- POWER** - no action
 - RESET** - under "SPRAYS LEFT" page, return counter to 3,000 (pressed only when new refill replaced)
 - MODE** - save changes and move to next mode
 - SET** - enter the field which need changed or shift the position
 - ADJ** - change value or setting

INSTALLATION INSTRUCTIONS

WALL MOUNTING:
effective operation, mount dispenser above eye level, a minimum 7 feet(2.2m) from floor to bottom of dispenser. Locate where living air will disperse the AIRSIR automatic fragrance dispenser throughout the entire area. Open dispenser cover, take out the mechanism then position dispenser on wall and secure upper and lower hole with the supplied screws hardware. One AIRSIR dispenser fits up to 6,000 cubic feet (170m³).

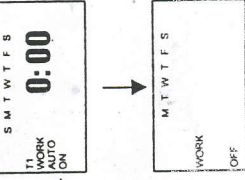
CAUTION:
Never stand in front of the dispenser when the dispenser is on working. Before replacing metered aerosol refill, do remember press "POWER" button to turn off avoid being sprayed in the eyes or face.

FACTORY PRE-SETTING/DEFAULT:

30 days refill cycle
24 hours-a-day operation, 7-days a-week
interval 14 minutes per spray (calculated by program automatically, un-adjustable by manual)

OPERATION INSTRUCTIONS:

factory pre-settings are satisfactory,
Open dispenser front cover.
Insert 2 "AA" size batteries. (*Alkaline batteries are recommended for longer operation.)
Insert new refill.



Mode "WORK ON OFF": Setting the weekdays which will work in week. Press "ADJ" to change then press "SET" move to next day or press "SET" enter Sub-Mode "T1 AUTO ON" directly.



The LCD will show the "WORK ON" days only at the home page when one or more days been set "OFF". For example; if Sunday had been set "WORK OFF", the LCD will show " M T W T F S" only at home page.

NOTE:

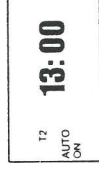
- If seven days in a week are all "WORK ON"; the LCD will not show weekdays at home page.
- When need change weekdays setting or "T1(T2)" setting; must start from Sunday(S), Monday(M), Saturday(S).



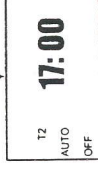
Sub-Mode "T1 AUTO ON": Setting automatic start time of the first period; Press "SET" to select field and press "ADJ" to change. Press "MODE" for save and move to next sub-mode.



Sub-Mode "T1 AUTO OFF": Setting automatic stop time of the first period; Press "SET" to select field and press "ADJ" to change. Press "MODE" for save and move to next (Sub)mode.



Sub-Mode "T2 AUTO ON": Setting automatic start time of the second period; Press "SET" to select field and press "ADJ" to change. Press "MODE" for save and move to next Sub-mode.



Sub-Mode "T2 AUTO OFF": Setting automatic stop time of the second period; Press "SET" to select field and press "ADJ" to change. Press "MODE" for save and move to next mode.

NOTE:

- If the start time of "T1 AUTO ON" equals to the stop time of "T1 AUTO OFF"; it means automatic ON/OFF function will be cancelled and the dispenser will work 24-hours-a-day.
- Sub-Mode "T2 AUTO ON" and "T2 AUTO OFF" will not appear if "T1 AUTO ON" and "T1 AUTO OFF" does not set.
- The start time of "T2 AUTO ON" never earlier than the stop time of "T1 AUTO OFF".
- The stop time of "T2 AUTO OFF" never later than 23:59.
- When the automatic ON/OFF function been set; the symbol "24H" at the upper-right corner will disappear and "T1(T2) AUTO ON OFF" will shown at left side of home page.



Mode "DAYS TO REFILL": Setting the cycle of the refill will be replaced. Press "SET" to enter and "ADJ" to change.



Mode "INTERVAL": This function is calculated by the program automatically and not allow changed manually. If the digits of "DAYS TO REFILL" (previous mode) been changed, it will re-calculate by the program.



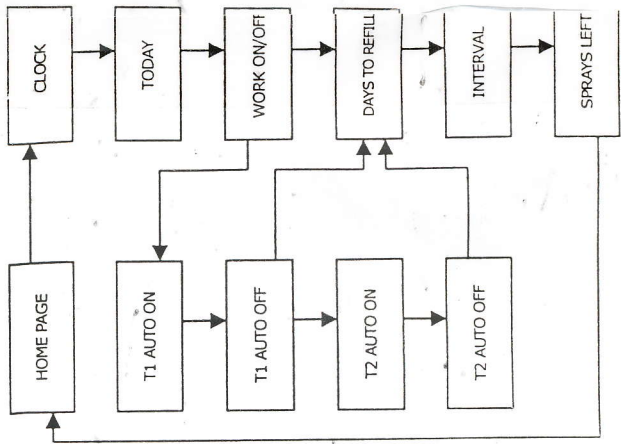
Mode "SPRAYS LEFT": This function does not allow changed. It counts down from 3,000 and deducts 1 per spray. Press "RESET" return the counter to 3,000. If necessary, At home page, press the "RESET" button to check the counter value or hold 1 second to return the counter to 3000.

LED INDICATOR

The green LED indicator will flashing when the dispenser is on working. The red LED indicator will flashing if low battery or the digits of "DAYS TO REFILL" become "0" (means refill need replaced).

Note:

The dispenser will keep working until batteries power cannot drive the dispenser. (It's useful! Some refills may more than 300 sprays)



- FLOW CHART OF PROGRAM -