



HYBRIDFLUSH™

AUTOMATIC/MANUAL FLUSH VALVE RETROFIT KIT

Model
AEF-801-RU

Description

Battery Powered, Sensor Operated, Gear Motor Driven **HYBRIDFLUSH™** Retrofit Conversion Kit For Exposed Urinal Flushometers.

Flush Cycle

- Model AEF-801-RU15 (1.5 gpf/5.7 Lpf)
- Model AEF-801-RU10 (1.0 gpf/3.8 Lpf)
- Model AEF-801-RU05 (0.5 gpf/1.9 Lpf)

Variations (Add suffix to model number for variations)

- S Locking Ring for Sloan® Valve Bodies
- Z Locking Ring for Zurn® Valve Bodies

Features

- Patented BRV® and Gear Motor Drive
- Hands Free Infrared Sensor Activation
- Quiet Operation
- Retrofit Conversion Kit For Sloan® and Zurn® Manual Flushometers
- Uses Original Manual Diaphragm
- Independent Mechanical Override By Way of Original Manual Flush Handle or Button
- Adjustable Sensor Angle
- Easy Battery Replacement-No Water Shut Off Necessary
- Operates on (4) AA Alkaline Batteries (included)
- Battery Life - Up To 100,000 Flush Cycles
- 6-Volt AC Power Adapter Kit (optional)
- Adjustable Sensor Range, Water Saver Mode, and Ghost Flush Mode
- Standard Vandal Resistant Chrome Plated Metal Cover
- Patented System Eliminates the use of a Solenoid
- Water Resistant Design

Accessories (Add suffix to model number for accessories)

- PBCK Push Button Conversion Kit For Flush Handle
- HC801 Cover for Flush Handle
- AD801 6-Volt AC Power Adapter Kit



*AEF-801-RU unit shown installed on an existing flushometer.

*AEF-801-RU units **DO NOT** include a Valve Body, Supply Stop or Vacuum Breaker.

The HYBRIDFLUSH™ Advantage

The **HYBRIDFLUSH™** is a revolutionary full-featured automatic/manual flush valve retrofit conversion kit. The **HYBRIDFLUSH™** automatic flush valve conversion kit will retrofit SLOAN® and ZURN® exposed manual flushometers on urinals and water closets (toilets). The **HYBRIDFLUSH™** incorporates a unique patented mechanism that allows for automatic/manual operation for unsurpassed reliability. The patented **HYBRIDFLUSH™** design allows for the original flush handle or push button to be used as an alternate flush option that is independent of the battery power. The **HYBRIDFLUSH™** by Advanced Modern Technologies Corporation is the most efficient, economical, and complete automatic flush valve system on the market.

Warranty
3 Years



Architect/Engineer Approval	
Job Name	_____
Date	_____
Model Specified	_____
Quantity	_____
Variations Specified	_____
Customer/Wholesaler	_____
Contractor	_____
Architect	_____



HYBRIDFLUSH™

AUTOMATIC/MANUAL FLUSH VALVE RETROFIT KIT

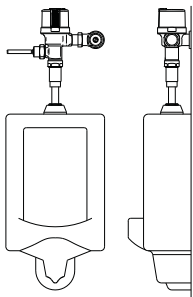
Model
AEF-801-RU

Specifications:

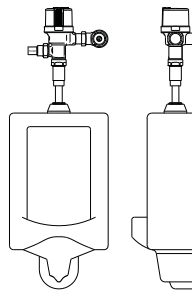
Operation:	Hybrid (Automatic/Manual)
Outer Casing:	Standard-Chrome Metal
Operating Water Pressure:	15 PSI - 100 PSI
Sensor Type:	Infrared
Battery Type:	Four AA Alkaline Batteries
Battery Life:	Up to 100,000 Flushes
AC Power (optional):	6-Volt AC Power Adapter Kit
Arming Delay:	5 Seconds
Sensing Range:	18" (45cm) - 30" (75cm) Adjustable
Ghost Flush:	Once every 24 Hours From Last Flush
Sensor Angle:	Adjustable Angle
Flush Cycle:	Specified by Model
Model AEF-801-RU15	1.5 gpf/5.7 Lpf
Model AEF-801-RU10	1.0 gpf/3.8 Lpf
Model AEF-801-RU05	0.5 gpf/1.9 Lpf
Flush Mode:	After Every Use
Water Saver Mode:	After Every Other Use
Manual Override:	Flush Handle/Push Button/None

Diaphragm	Flush Cycle
	1.5 gpf/5.7 Lpf Yellow Flow Ring (H)
	1.0 gpf/3.8 Lpf Green Flow Ring (H)
	0.5 gpf/1.9 Lpf Green Flow Ring (L)

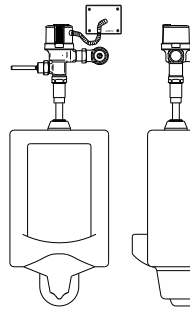
Application:



HYBRIDFLUSH™ shown on urinal with manual flush handle.

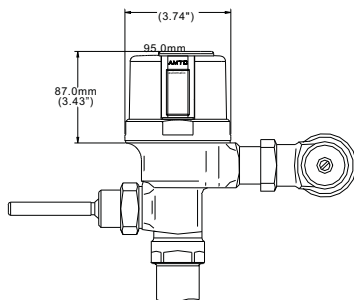


HYBRIDFLUSH™ shown on urinal with manual push button (PBCK).



HYBRIDFLUSH™ shown on urinal with manual flush handle and 6-volt AC power adapter kit (AD801).

Dimensions:



Exploded View:

