

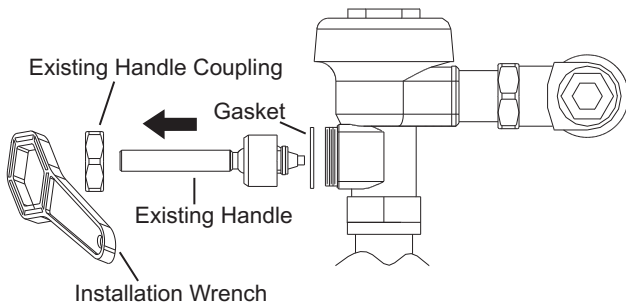
AMTC DUALFLUSH® Handle Instruction Guide

(Refer to illustrations below)

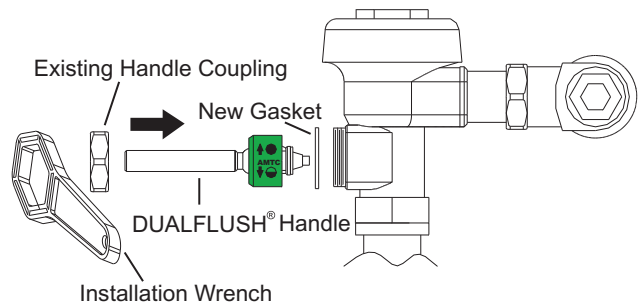
NOTE: Water does not need to be shut off to install DUALFLUSH® Handle, but use caution to NOT ACTIVATE the valve.

IMPORTANT: Make sure that existing diaphragm assembly matches the required flush volume for the existing fixture to assure proper and maximum performance.

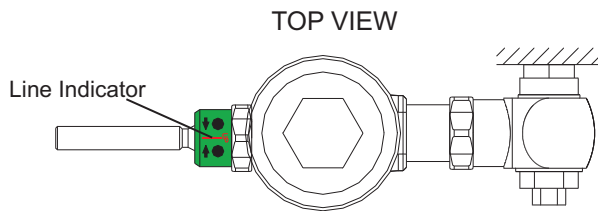
Quick Installation Diagram:



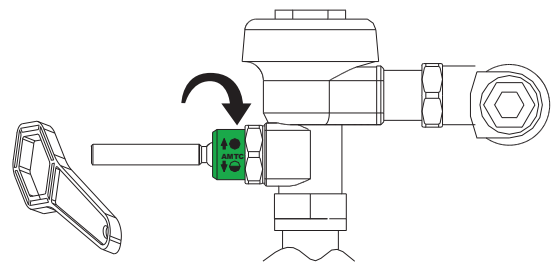
1 Remove Existing Handle Coupling, Existing Handle, and Gasket from Flushometer Valve Body using supplied Installation Wrench.



2 Replace with DUALFLUSH® Handle and New Gasket using Existing Handle Coupling.

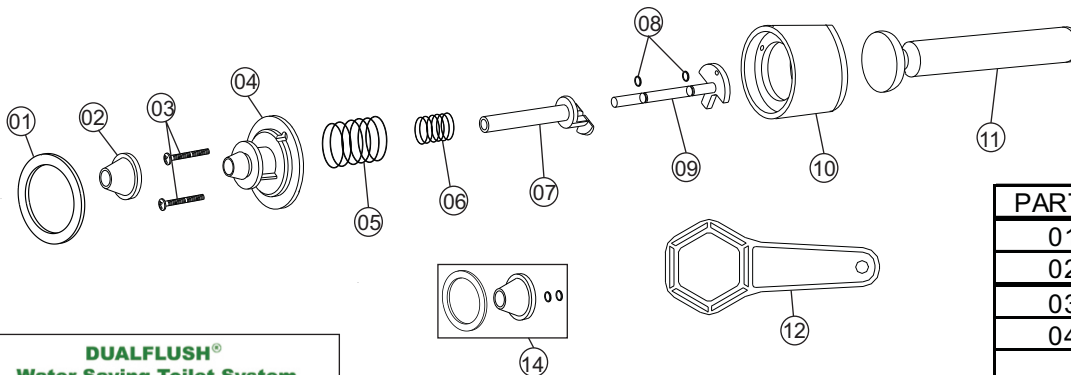


3 Install DUALFLUSH® Handle with "RED LINE" Indicator Facing "UP".



4 Tighten the Handle Coupling Securely using the supplied Installation Wrench.

DUALFLUSH® Handle Parts Diagram:



PART #	PART NAME
01	Washer
02	Seal
03	Screw (2)
04	Bushing 1.6gpf (green) Bushing 3.5gpf (blue)
05	Outer Spring
06	Inner Spring
07	Outer Shaft
08	O-Ring (2)
09	Inner Shaft
10	Socket
11	Handle
12	Wrench
13	Wall Sign (2)
14	Seal Repair Kit



Advanced Modern Technologies Corporation

6409 Independence Ave.
Woodland Hills, CA 91367 USA

Toll Free: (800) 874-7822 • Fax: (818) 883-2620

www.amtcorporation.com