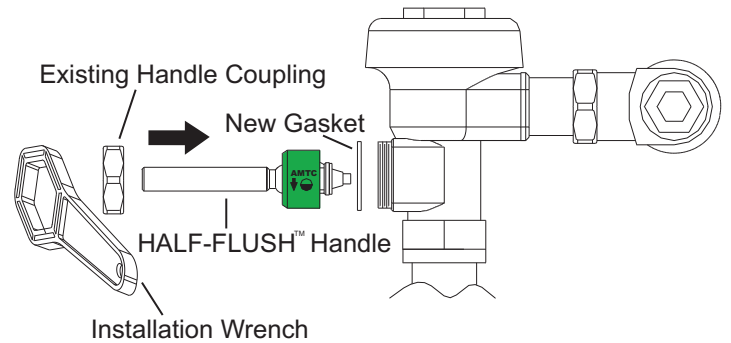
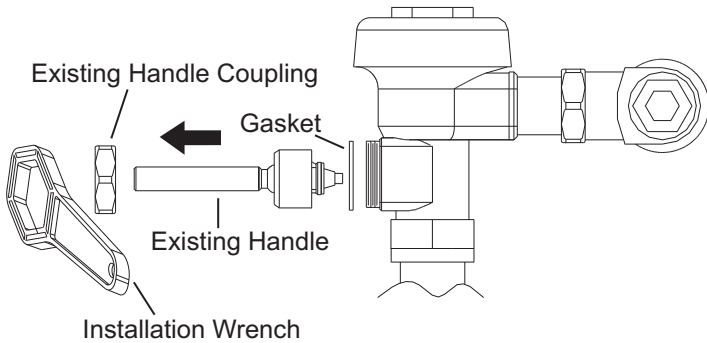


AMTC HALF-FLUSH™ Handle Installation Guide

(Refer to illustrations below)

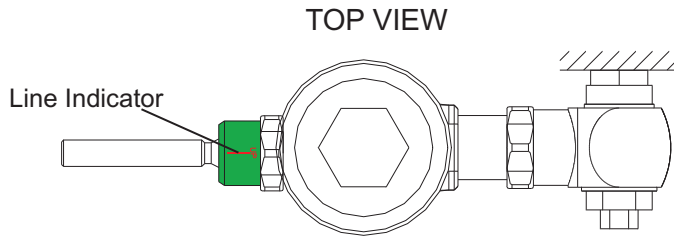
NOTE: Water does not need to be shut off to install HALF-FLUSH™ Handle, but use caution to NOT ACTIVATE the valve.

IMPORTANT: Make sure that existing diaphragm assembly matches the required flush volume for the existing fixture to assure proper and maximum performance.

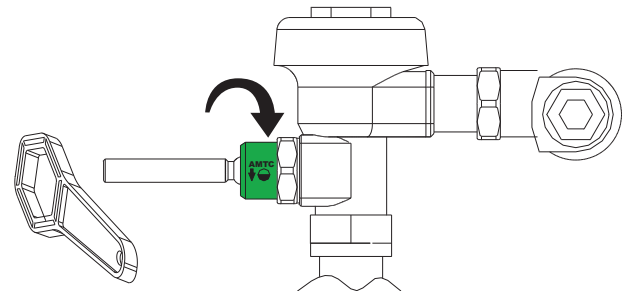


1 Remove Existing Handle Coupling, Existing Handle, and Gasket from Flushometer Valve Body using supplied Installation Wrench.

2 Replace with HALF-FLUSH™ Handle and New Gasket using Existing Handle Coupling.

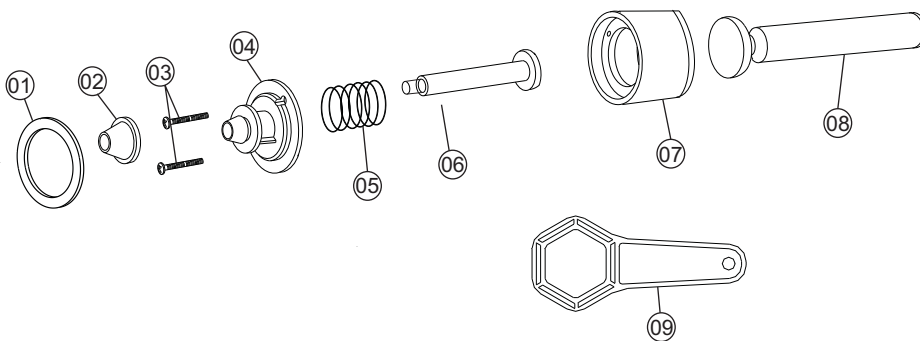


3 Install HALF-FLUSH™ Handle with "RED LINE" Indicator Facing "UP".



4 Tighten the Handle Coupling Securely using the supplied Installation Wrench.

HALF-FLUSH™ Handle Parts Diagram:



Advanced Modern Technologies Corporation

6409 Independence Ave.
Woodland Hills, CA 91367 USA

Toll Free: (800) 874-7822 • Fax: (818) 883-2620

www.amtccorporation.com

PART #	PART NAME
01	Washer
02	Seal
03	Screw (2)
04	Bushing 0.5gpf (blue)
05	Spring
06	Shaft
07	Socket
08	Handle
09	Wrench
10	Wall Sign